

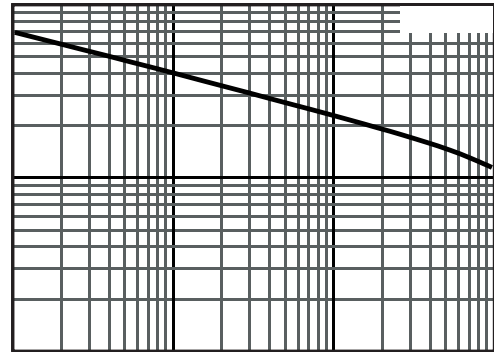
# KGBU1510

## RATINGS AND CHARACTERISTICS CURVES

If, Average Forward Current (A)

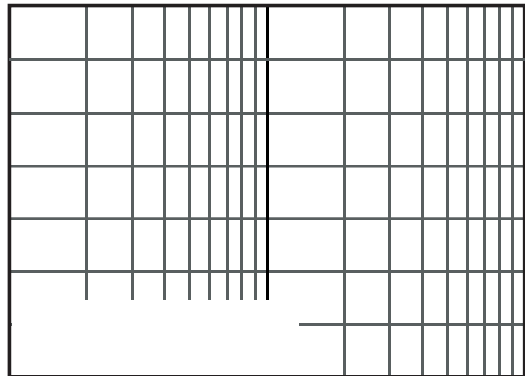
Tc, Case Temp (°C)

Current Derating, Case



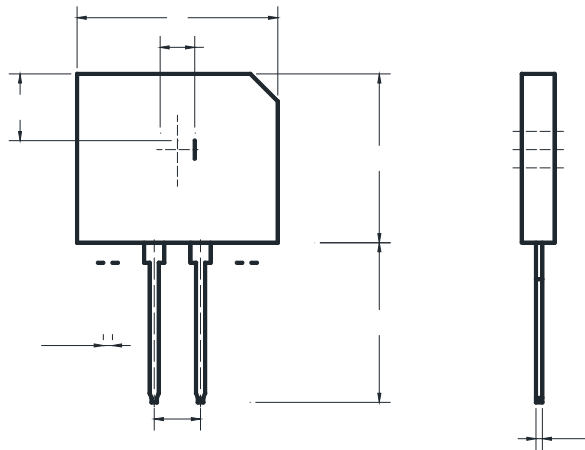
Typical Junction Capacitance

Ir, Reverse Current (A)



VR, Reverse Voltage (Volts)

Typical Reverse Current



Dimensions in millimeters