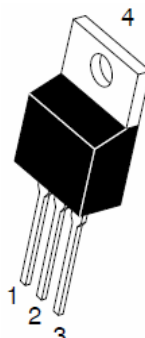


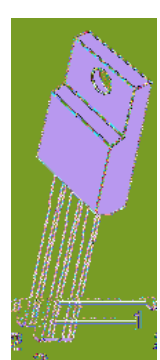
7 UHQFK 026 %DUULHU 6FKRWWN\ 5H

TO-220AB  
TSR / CT 6



1 2 3 4

ITO-220AB  
TSR / CTF 6





Features

- ‡ \$GYDQWUHQFK WHFKQRORJ\
- ‡ /RZRUZDURGDWDJH GURS
- ‡ /RZRZURVVHV
- ‡ +LJKILFLHQF\ RSHUDWLRO
- ‡ /HDGH)HLQLVK &R#6OLDQW

Applications

- ‡ '&' &RQYHUWHUV
- ‡ \$&'&\$GDSWRUV
- ‡ 6ZLWFKRZDUXSSOLHV
- ‡ )UHHZKH'HLRQJ

3,1   4-2  
4-2

Maximum ratings and electrical characteristics (T<sub>J</sub> = 25°C unless otherwise noted)

3DUDPHWHU		6\PERO	/LPLW	8QLW	
0D[LXPXPHSHVSHUNYHYURQHW DJH		9550		9	
0D[LXPYHURDJHZDUG UFKUWHIQWGHYLFH ,) \$9				\$	
3HDN IRVZDURBUHQW VLKDDHQH ZDYH VXSHULPSRVHGRSODRUGHG		,)60	5	\$	
2SHUDMXQDQURWRUDJH WHPSHUDW XUHURDJH WR				f&	
7\SLFVCHUPDO USHVULVQHDQFH		72 \$%	5\$-&	f& :	
		,72 \$%		f& :	
,QVWDQWDQHRURWRUJZDUG SHGLRGH		9)	7<3	0\$;	
			,) \$	7- f&	9
			,) \$	7- f&	
			,) \$	7- f&	
,QVWDQWDQHRXUUSHQWRUWH UDWHYHYURQHW DJH		,5		X\$	
				P\$	

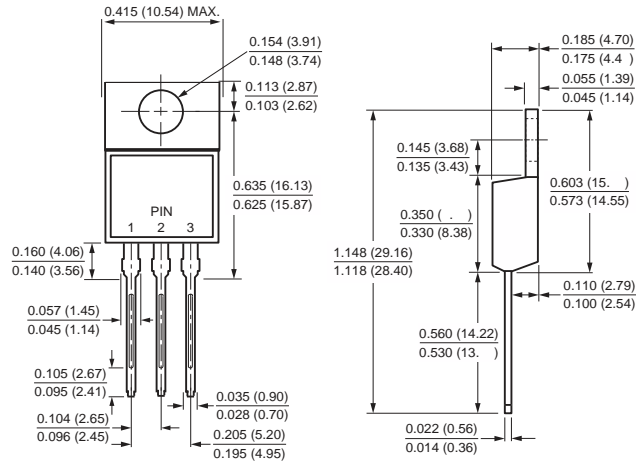
1RWHV  
3XOVH WHVVSXOVH ZLGWK GXW\F\FOH  
3XOVH WHVW 3XOPH ZLGWK 0



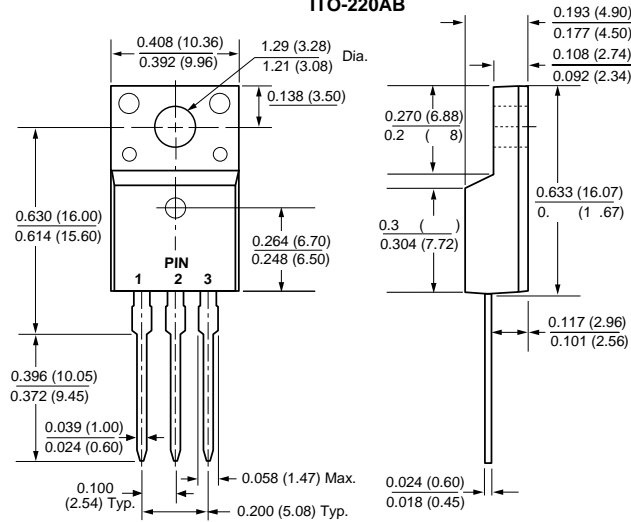
PACKAGE OUTLINE DIMENSIONS

1 R W H X Q L W , Q P P

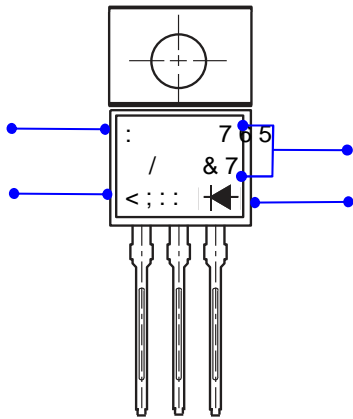
TO-220AB



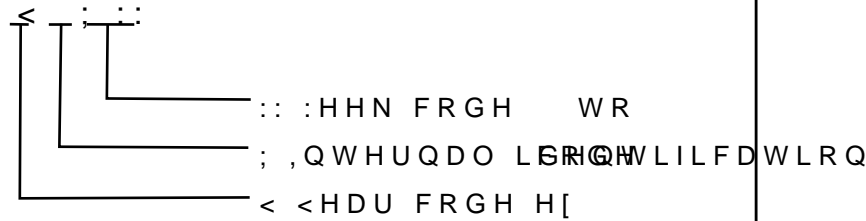
ITO-220AB



**Marking Information**



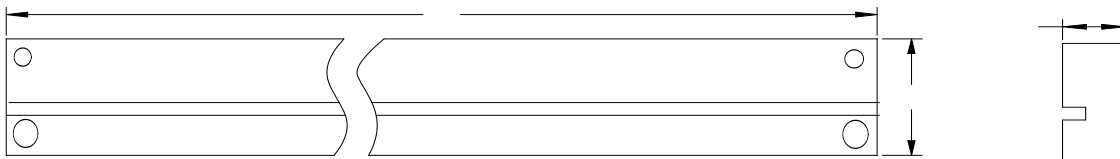
3URGXFW 765GHO&7RU 765 / &7)  
3'& LQIRUPDWLRQ



6LQJZDIHU

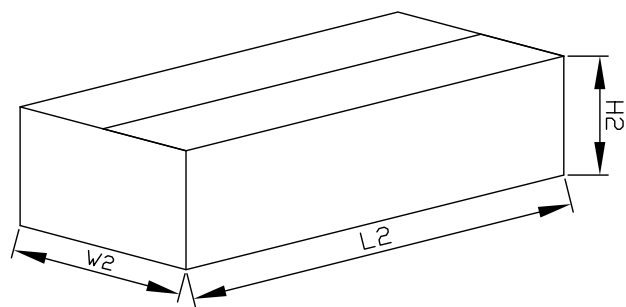
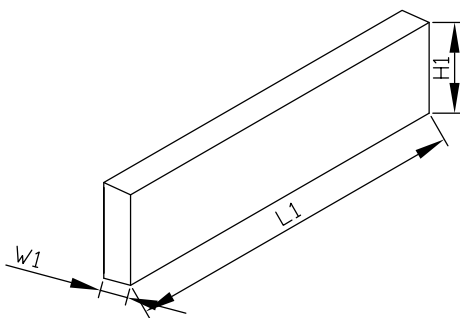
**Packaging Information**

7XEH 'LPHQVLRQV



,QVLGH %R[

2XWVLGH %R[



**Packaging Information**

12	81,	7XEH 'LPHQVLRQV			,QVLGH %R[			2XWVLGH %R[		
		\$	%	&	/	:	+	/	:	+
6L]H	PP									
47<	3&6	3&6 7XEH			6PDO&7RU 765GHO&7RU WXE&7RU			3&6 FDU&7RU		
1RWH		7ROHUDQF&7RU			PP" PP			PP" PP		