

7 UHQFK 026 %DUULHU 6FKRWWN\ 5H

TO-220AB
TSR / &7



ITO-220AB
TSR / &7F



Features

- ‡ \$GYDQWUHQFK WHFKQRORJ\
- ‡ /RZRZDWRGWDJH GURS
- ‡ /RZRZDWRVHV
- ‡ +LJKILFLHQF\ RSHUDWLRO
- ‡ /HDGH)HLQLVK &R#6OLDQW

Applications

- ‡ '&' &RQYHUWHUV
- ‡ \$\$' &\$GDSWRUV
- ‡ 6ZLWFKRZDSSOLHV
- ‡)UHHZKHHLRQJ

Maximum ratings and electrical characteristics (T_J = 25°C unless otherwise noted)

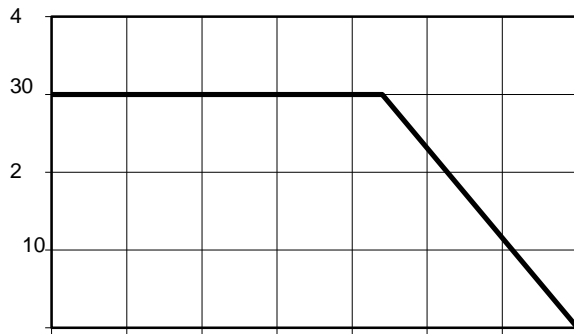
3DUDPHWHU		6\PERO	/LPLW	8QLW
0D[LXPXPHSHVSHUNYHYURQHW DJH		9550		9
0D[LXPYHURJHZDUG UFXEWHIHWG		,) \$9		\$
GHYLFH SHGLRGH				
3HDN IRVZDWRUHQW VLQDQH ZDYH		,) 60		\$
VXSHULPSRVHGRFSGUDRCHG				
2SHUDMXQDQWRWRUDJH WHPSHUDW		XUH 0DQJH	WR	f &
7\SLFNDCHUPDO USHVULVQHDQFH		72 \$%	5\$-&	f & :
		,72 \$%		f & :
,QVWDQWDQHRXUWRUDUG SHGLRGH		9)	7 < 3	0\$;
			1	76
			5	1.05
			8	
,QVWDQWDQHRXUWHGHW DJH		,5		X\$
				P\$

1RWHV

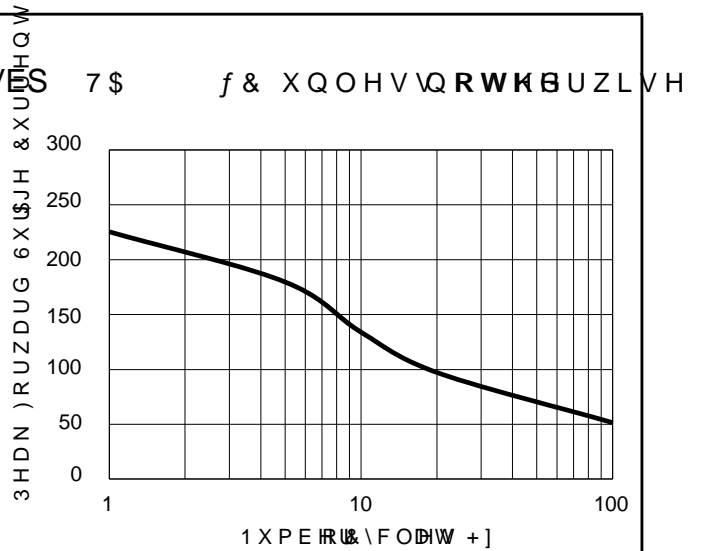
3XOVH WHVWSXOVH ZLGWK GXW\F\FOH

3XOVH WHVW 3XOVH ZLGWK 0 PV

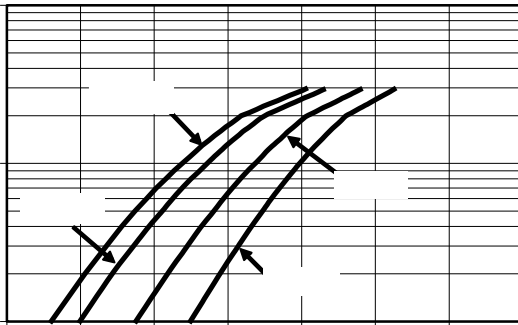
RATINGS AND CHARACTERISTICS CURVES



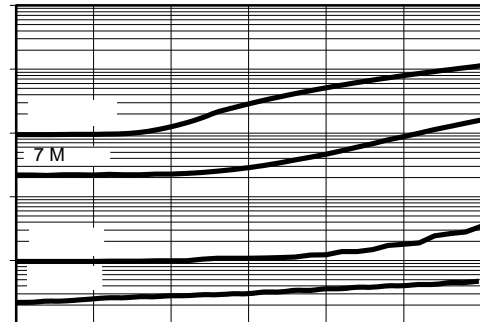
Current Derating, Case



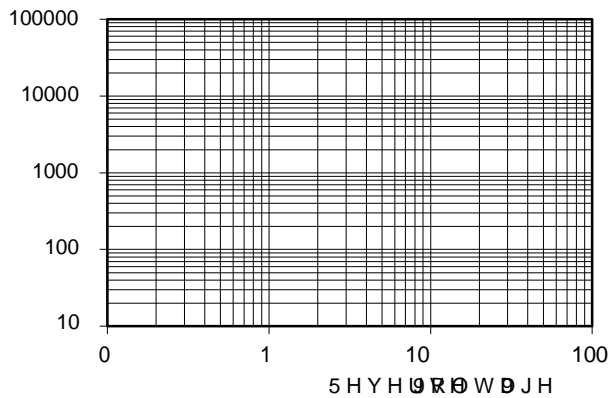
Maximum Repetitive Surge Current



Typical Forward Voltage

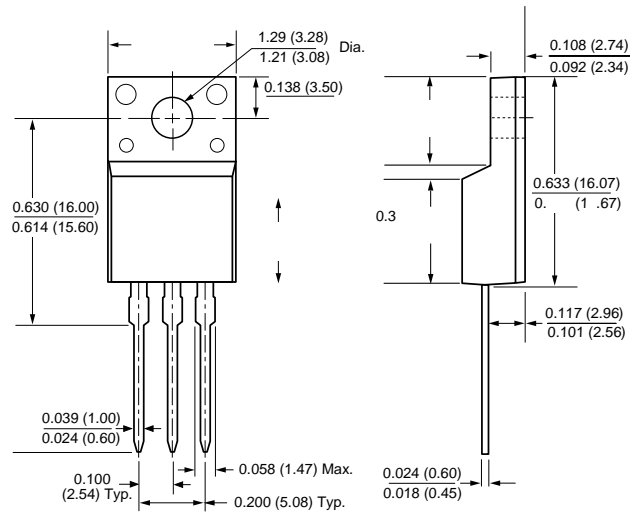


Typical Reverse Current

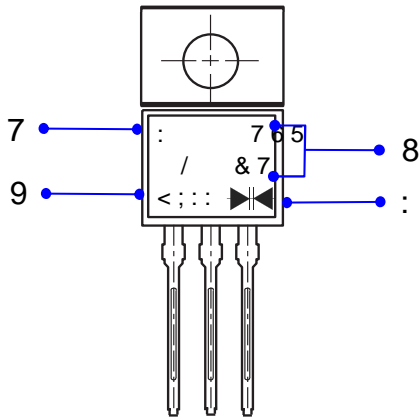


Typical Junction Capacitance

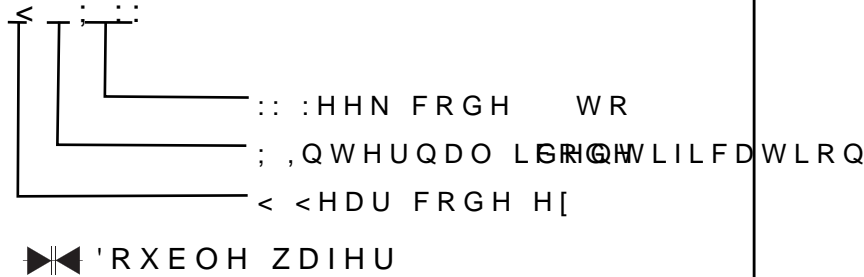
PACKAGE OUTLINE DIMENSIONS



0DUNLQJ ,QIRUPDWLRQ

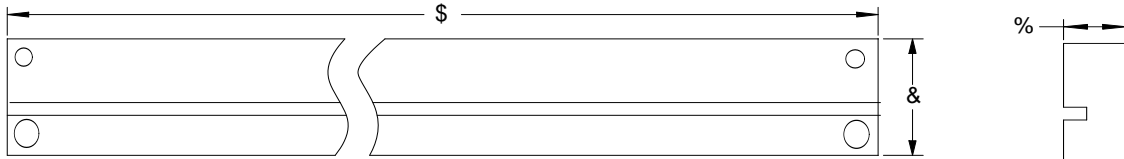


7 : &RPSDQ\ V WUDGHPDUN
 8 3URGXFW 765 / &7))
 9 3' & LQIRUPDWLRQ



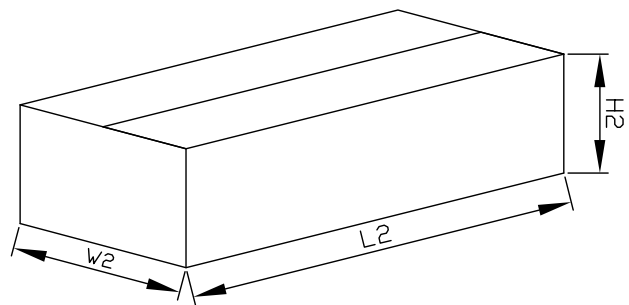
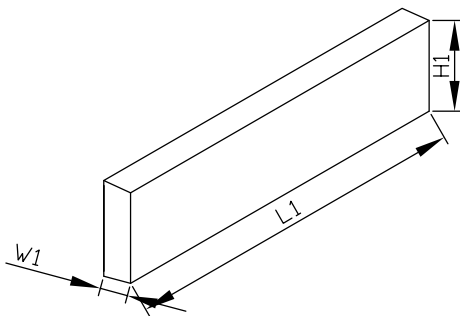
3DFNDJLQJ ,QIRUPDWLRQ

7XEH 'LPHQVLRQV



,QVLGH %R[

2XWVLGH %R[



3DFNDJLQJ ,QIRUPDWLRQ

12	81,	7XEH 'LPHQVLRQV			,QVLGH %R[2XWVLGH %R[
6L]H	PP	\$	%	&	/	:	+	/	:	+
47<	3&6	3&6 7XEH			6PDO SHFWDJH3&6 WXEORWDO			3&6 FDUERGLWRWDO		
1RWH	7ROHUDQFH PP" PP PP" PP PP" PP									